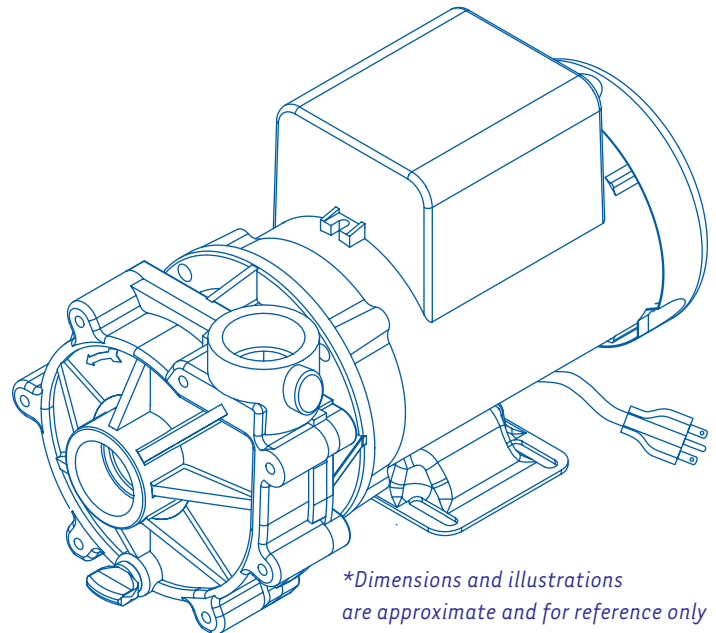
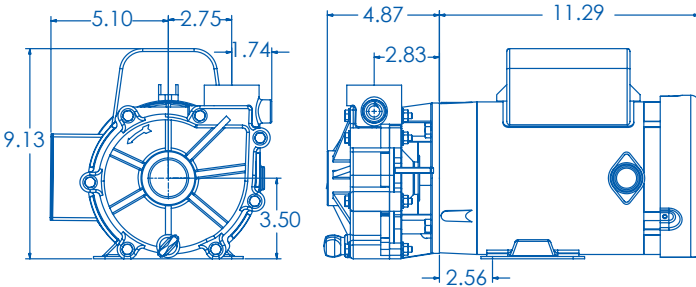


# SEQUENCE® Power 1000

## ■ Power 1000 Model 9200PWR69

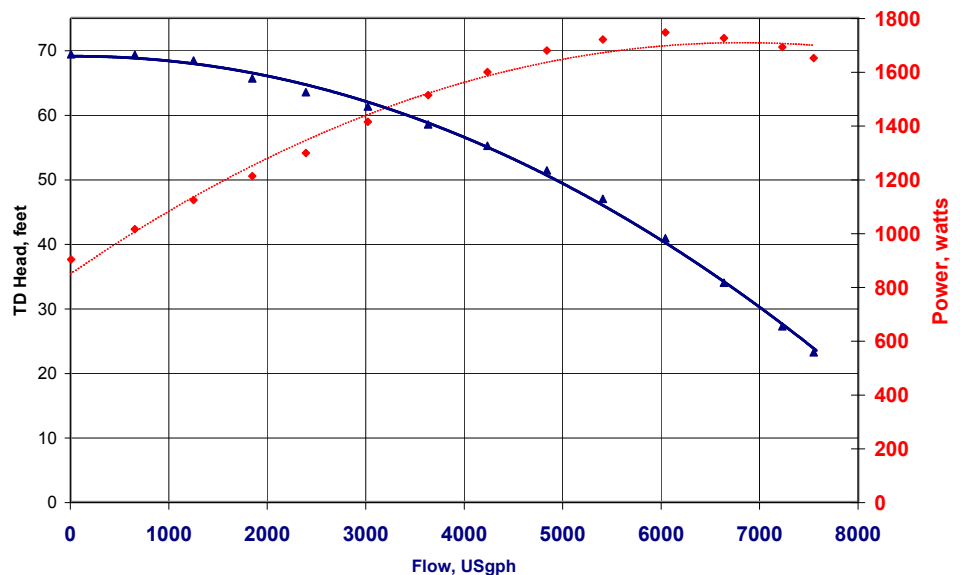
Massive flow! For the application that demands high performance, we offer the Sequence® Power 1000 Series with abundant flow and pressure. The Power 1000 puts the horsepower and efficiency into the pressure side of the performance requirement but maintains flow rates that will meet the most challenging of scenarios. Motor is totally-enclosed, fan-cooled for durability. 115V or 230 volt. 3 year limited warranty. Made in USA. **Supplied with an 8-foot, 230V cordset.**



\*Dimensions and illustrations are approximate and for reference only

(High-Speed)

Model 9200PWR69	
List price	\$719.00
Inlet	1.5"
Discharge	1.5"
Max flow, GPH	9200
Max head, Ft	69'
Max Power, Watts	1744
Max Current, Amps	6.82
115 / 230 @ Volts	230
Motor HP	1.5
Motor Type	56J
Motor Enclosure	TEFC
Impeller	6T- 4.25"
Shipping Weight	42.00 LBS
Box Dimensions	18 1/8" x 10" x 10 1/2"



Proudly Made in the USA

Sustainable, Efficient.

©2008 SEQUENCE PUMPS A DIVISION OF MDM INC.